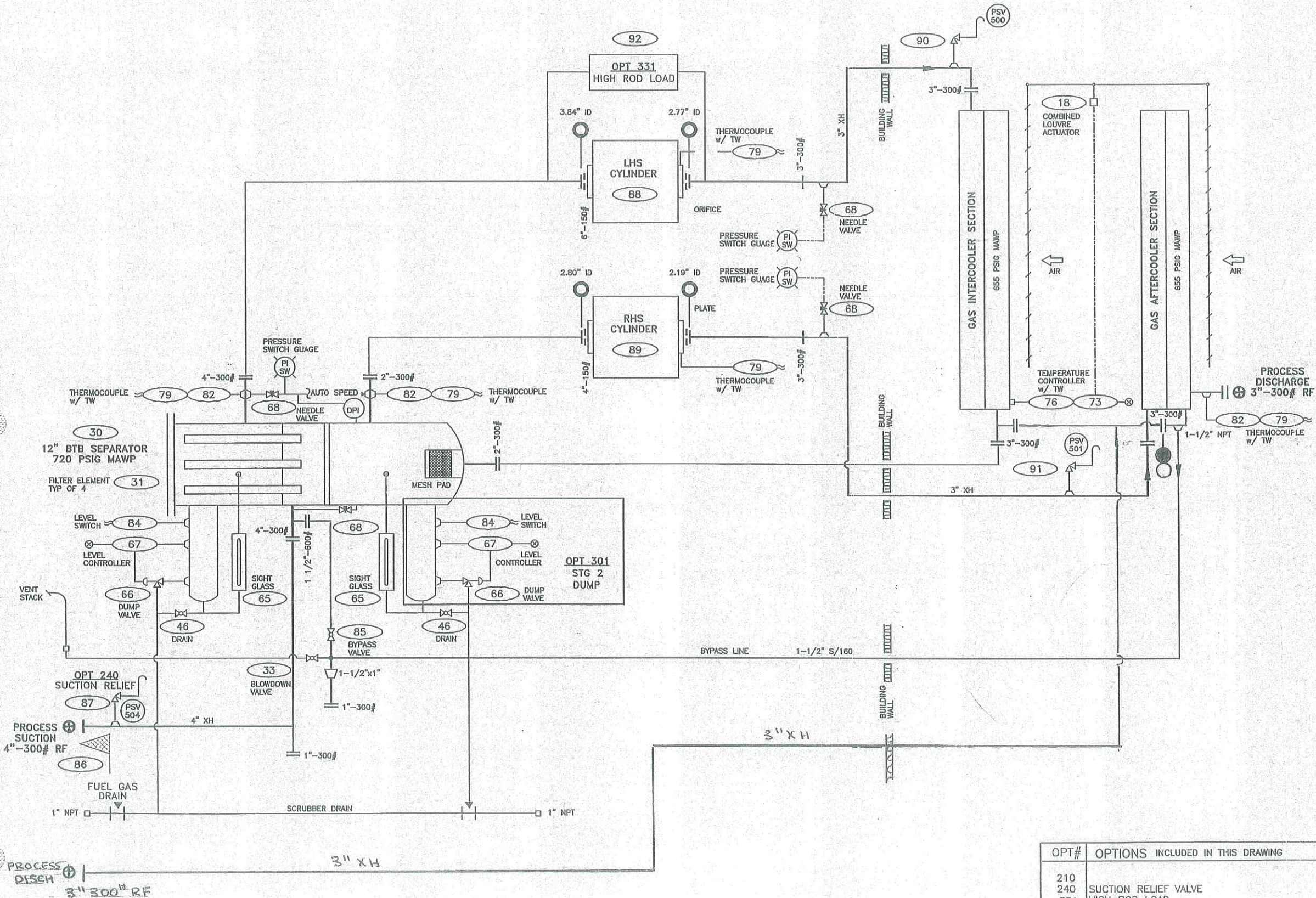


PSV OPTION 240
PSV-504 SET@720PSIG

ARIEL CYLINDERS
CYL.#1: 10 1/2 M 150 MAWP
CYL.#2: 7 1/2 M 175 MAWP

PSV
PSV-500 SET@150PSIG
PSV-501 SET@175PSIG



MATERIAL LIST

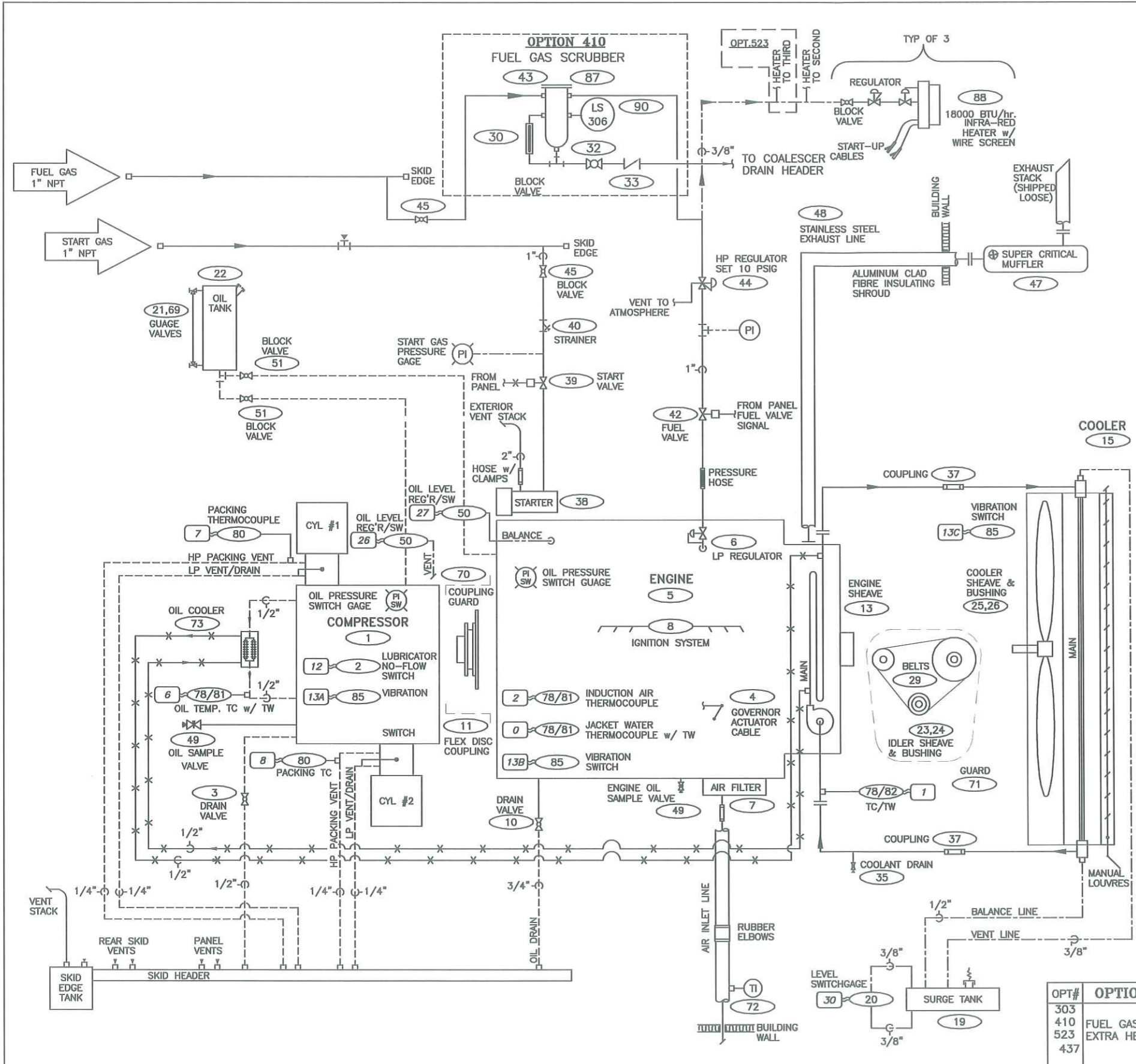
ITEM	QTY	DESCRIPTION
18	1	LOUVRE ACTUATOR, GARZO 501-4-630
30	1	12" BTB COALESCER PER BTB SPEC 902-8
31	4	ELEMENT, PECO FG-36-MS, 3 1/2" OD x 36"
33	1	BALL VALVE, WKM B136-CS-02-CS 1" NPT
46	2	BALL VALVE, WKM B136-CS-02-CS 1" NPT
65	2	LEVEL GAGE, PENBERTHY 1RM7
66	2	DUMP VALVE, MURPHY DV1500 1" NPT
67	2	LEVEL CONTROLLER, MURPHY L1200N-DVO 2" NPT
68	4	NEEDLE VALVE, CENTURY CM2-3-M64T 3/4" NPTM x 1/2" NPTF CS
73	1	KIMRAY TEMP. CONT. HT12
76	1	KIMRAY 1" SS-12-SS TW
79	5	TC, LEAD & CONN'R, 1/4"OD, SPG. FTG. (STYLE3)
82	3	TW, STD 3/4"NPT x 2.5", FOR 1/4" PROBE (STY5)
84	2	LEVEL SW., MURPHY L1100 1.5" BUOYGLAS SPDT
85	1	BALL VALVE WKM 1 1/2" NPT
86	1	CONE STRAINER 4"-300#
87	1	TAYLOR 8200 1" x 1" NPT
88	1	ARIEL CYLINDER C/W WCP
89	1	ARIEL CYLINDER C/W WCP
90	1	PSV, TAYLOR 8200, 0.44" ORIFICE, 1 1/2" x 2"
91	1	PSV, TAYLOR 8200, 0.44" ORIFICE, 1 1/2" x 2"
92	1	D.P. SWITCH U.E. SET@ 47 PSI

REV.	DESCRIPTION	DATE	BY
D	FINAL DISCH. ADDED - COMP. END	1999	KB
C	AS BUILT	1998 10.05	SP
B	FRAMED AS BUILT	1997 06.19	JDL
A	NEW DRAWING.	1997 06.06	JDL

OPT#	OPTIONS INCLUDED IN THIS DRAWING
210	SUCTION RELIEF VALVE
240	HIGH ROD LOAD
331	HIGH ROD LOAD

EPX BTB Compressors
ENERFLEX SYSTEMS LTD.

DATE MAY 29, 95	SCALE NTS	TITLE PROCESS FLOW SHEET
CHK'D	APP'D <i>JB</i>	UNIT B135LP
DRAWN DGP	SYSTEM ACL	DWG. NO. 9717-11-C1
FILE: 971711C1		SHEET 1 of 1
		ISS. 95.12



MATERIAL LIST			39	1	GAS VALVE, 1" NPT IR SRV-100
ITEM	QTY	DESCRIPTION	40	1	STRAINER, ALTA 1" NPT
1	1	ARIEL JGP/2 COMPRESSOR FRAME	42	1	VALVE, FISHER 119-12, 1"NPT 9/16"ORF. 0-30PSI
2	1	LUBE NO-FLOW SD, LUBRIQUIP, 527-100-130	43	1	FUEL FILTER / SCRUBBER BTB
3	1	BALL VALVE, NIBCO T560CS-R25 LATCH 1/2"NPT	44	1	REG'R, FISHER 627R-493 1", 1/4"ORF SET 10PSI
4	1	SPEED CABLE, AIR VAC 95422 B55	45	2	BALL VALVE, NIBCO T560CS-R25 LATCH 1"NPT
5	1	WAUKESHA F11G C-11849	47	1	MUFFLER, SILEX JC-4-SO, 4"-150#
6	1	REGULATOR, FISHER	48	1	TAIL PIECE & INSULATED EXHAUST LINE, 4"
7	1	AIR CLEANER, TWO STAGE, DRY	49	2	OIL SAMPLE VALVE, NUPRO B-4JN4
8	1	ALTRONIC V CSA IGNITION SYSTEM	50	2	OIL LEVEL REG'R/SW, REN RAB-0
10	1	BALL VALVE, NIBCO T560CS-R25 LATCH 3/4"NPT	51	2	BALL VALVE, NIBCO T560CS-R25 LATCH 1/2"NPT
11	1	THOMAS 312 CMR COUPLING w/ DISK PACK	58	-	PAINT, TOWER T240-906 GREY
13	1	ENGINE SHEAVE	69	1	SIGHT GLASS, 5/8" x 1/8" WALL, ACRYLIC
15	1	FIN-X FX487 655 MAWP	70	1	FLYWHEEL COUPLING GUARD
17	1	BUG SCREEN, SHIPPED LOOSE	71	1	COOLER BELT GUARD
19	1	SURGE TANK, 25 LITRE	72	1	T.I., TREND SF30025, -40°C TO -120°C LIQUID FILL
20	1	LEVEL SWITCHGAGE, MURPHY EL-150-K1	73	1	OIL COOLER, HAYDEN HW218-A4-1
21	1	PAIR CRANE 20-104-03, 1/2" NPT VALVES	77	1	B145 I.S. WIRING HARNESS F1-23.01
22	1	OIL TANK, 70 LITRE	78	4	TC, LEAD & CONN'R, 1/8"OD, NO FTG (STYLE 2)
23	1	IDLER SHEAVE, BROWNING **	80	2	TC, LEAD & CONN'R, 1/8"OD, COMP FTG (STY 2,7)
24	1	IDLER BUSHING, BROWNING **	81	3	TW, SPECIAL 1/2"NPT x 2", 3/16"OD (STYLE 4)
25	1	FAN SHEAVE, BROWNING **	82	1	TW, 3/8" NPT x 2", 3/16" O.D. (STYLE 9)
26	1	FAN BUSHING, BROWNING **	85	3	VIBRATION SWITCH, MURPHY VS2
29	2	V BELTS, GRIPNOTCH BX 85	87	1	FILTER ELEMENT, PECO FG-36-MS
30	1	LEVEL GAUGE, PENBERTHY RM7	88	3	GAS HEATER, CATADYNE BX-18x24
31	1	REGULATOR, FISHER 67 AFR	90	1	LEVEL SWITCH, MURPHY L1100, 1 1/2"NPT
32	1	BALL VALVE, NIBCO 1"NPT	95	135L	OIL, ESSOLUBE GLX 40 OR EQUIVALENT
33	1	CHECK VALVE, NIBCO 1"NPT	96	155L	COOLANT, UCAR THERM 55 OR EQUIVALENT
35	1	BALL VALVE, GRINELL GR3911-A9 3/4"NPT			
37	2	DRESSER 2" STYLE 90 COUPLING			
38	1	STARTER, IR 150 LFGE-22-RH5			

LEGEND	
—	PROCESS PIPING SPEC BTB 902-6
—	UTILITY PIPING SPEC BTB 902-3
-x-	TUBING - NYLON, SAE J844-A OR B
---	ELECTRICAL SIGNAL
- - -	TUBING - STAINLESS STEEL, SPEC BTB 902-7
⊙	PANEL MOUNTED INSTRUMENT
00	WIRING HARNESS LEAD NUMBER
⊙	INSTRUMENT GAS SUPPLY
⊙	INSTRUMENT VENT
- - -	HOSE
▭	MANUFACTURED TUBING

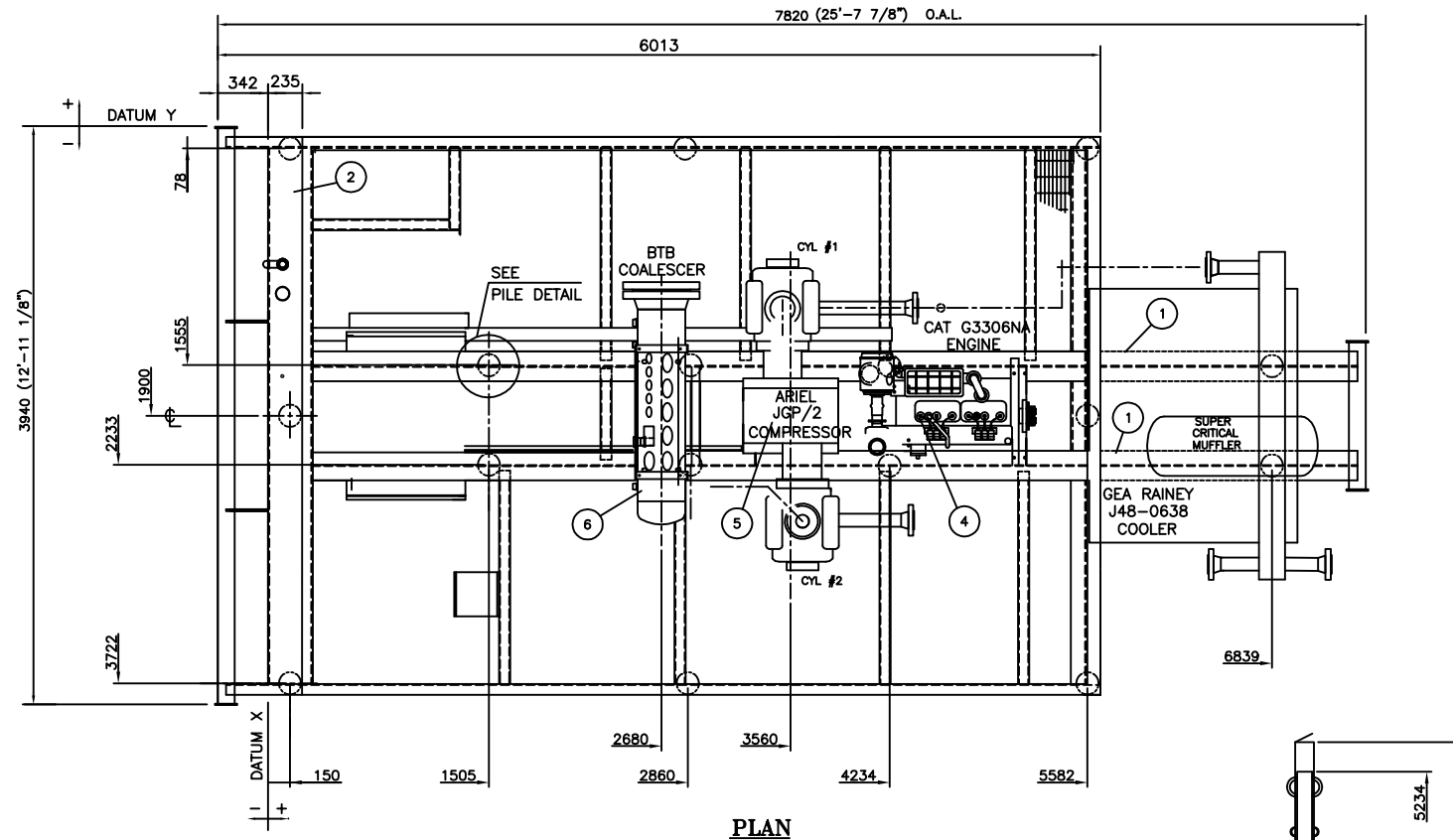
NOTES:

- ** REFER TO UNIT COMPONENT DATA SHEET, INCLUDED WITH OPERATING MANUAL.
- SITE INSTALLATION AND START UP MINIMUM REQUIREMENTS PER BTB SPECS 905-1 TO 905-7 MUST BE FOLLOWED.

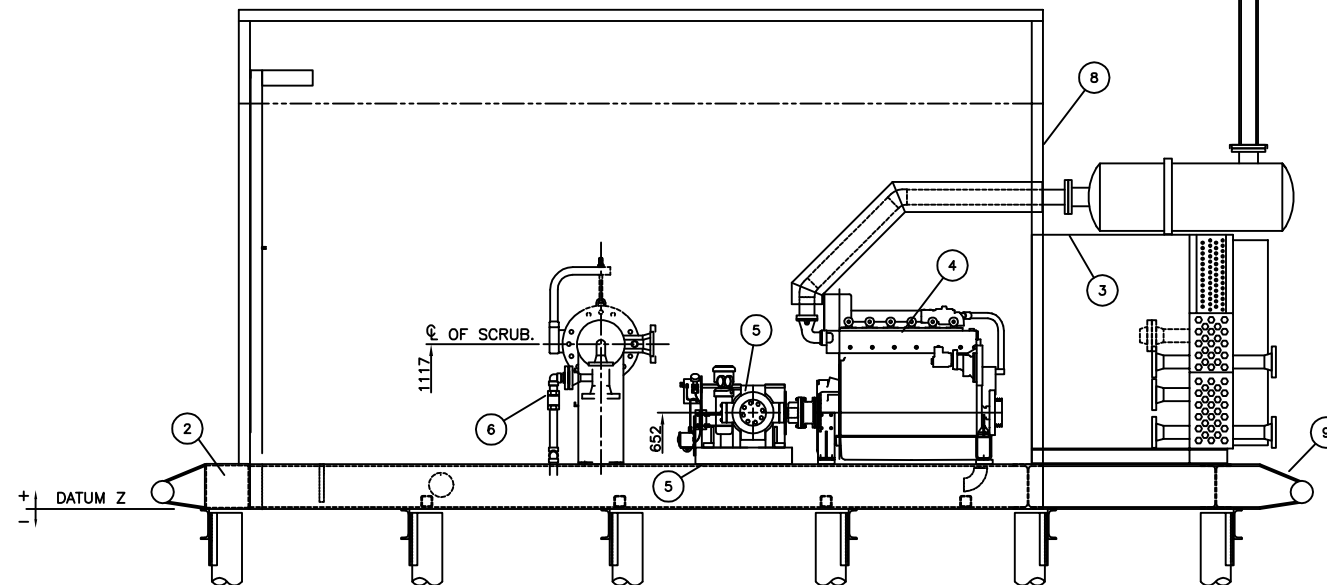
REV.	DESCRIPTION	DATE	BY
C	AS BUILT	1998 10.05	SP
B	FRAMED AS BUILT	1997 06.19	JDL
A	NEW DRAWING.	1997 07.06	JDL

EPX ENERFLEX SYSTEMS LTD.		BTB Compressors	
DATE MAY 9, 96	SCALE NTS	TITLE SERVICE FLOW SHEET	
CHK'D	APP'D	UNIT B135LP	
DRAWN DGP	SYSTEM ACLT	DWC. NO. 9717-12-C1	SHEET 1 of 1
FILE: 971712C1			ISS. 96.08

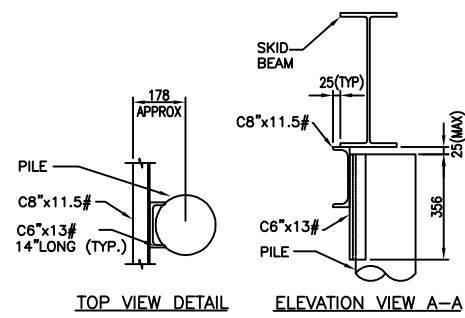
OPT#	OPTIONS INCLUDED ON THIS DRAWING
303	
410	FUEL GAS SCRUBBER
523	EXTRA HEATER
437	



PLAN



ELEVATION



PILE DETAIL

MATERIAL LIST

ITEM	QTY	DESCRIPTION	WEIGHT (lbs)
1	59ft	WF 12'x12' 3/8" THK. @ 40# SKID COMPONENT	2360
2	12ft	HSS 12'x12' 3/8" SKID COMPONENT	
3	1	COOLER, GEA J48-0638	
4	1	ENGINE, CAT 63306NA	
5	1	COMPRESSOR 7.3'x2.75' c/w CYL. (1700)	8700
6	1	COALESCER 12"	1200
7			
8			
9	1	B145 BLDG,	
10	1	SKID & PIPING	

TOTAL WEIGHT:

NOTES

- CENTRE RUNNERS HAVE ACCESS DOORS AT PILE LOCATIONS ON SEALED SKID BASE PAN.
- REFER TO BTB 905-3 FOR DETAILS.
- BACK FILL & COMPACT PRIOR THE COMPRESSOR SKID INSTALLATION.
- ALL DIMENSIONS IN mm UNLESS OTHERWISE SPECIFIED.

SHIPPING DATA

UNIT SHIPPING WEIGHT:	26,000 Lbs 11800 Kgs
UNIT SHIPPING HEIGHT:	12'- 0" 3658 mm
UNIT SHIPPING WIDTH:	12'-11 1/8" 3940 mm
UNIT SHIPPING LENGTH:	25'-7 7/8" 7820 mm

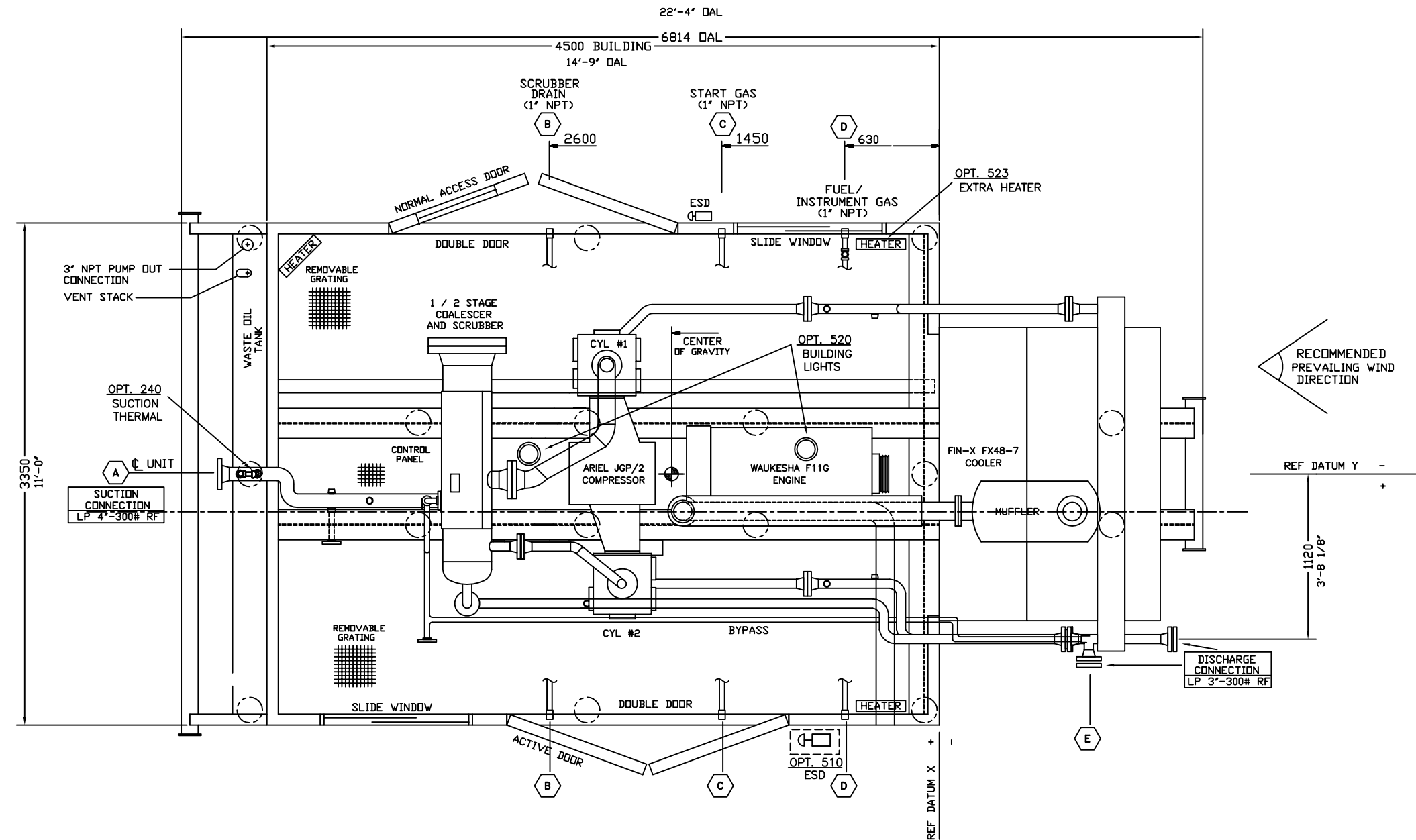
MAXIMUM POSSIBLE UNBALANCED FORCES (@ 1800 RPM)


TYPE	PRIMARY	SECONDARY
FORCES (KIPS)		
VERTICAL	0	0
HORIZONTAL	0.14	0.03
COUPLES (KIP FT)		
VERTICAL	1.35	0
HORIZONTAL	1.25	0.50

REV. A	NEW DRAWING FOR 9717	1998 09.16	SP
REV.	DESCRIPTION	DATE	BY

EFX BTB Compressors
ENERFLEX SYSTEMS LTD.

DATE 98.03.25	SCALE 1:48	TITLE INSTALLATION DRAWING SKID AND PILE DATA
CHK'D	APP'D	UNIT B135LP
DRAWN SC	SYSTEM ACLT	DWG. NO. 9717-A0034
FILE: FD9717A.dwg		SHEET 1 of 1
		ISS. 98.09



NOTE:
 1. SUCTION AND DISCHARGE FLANGE LOCATIONS ARE SUBJECT TO COMPOUND TOLERANCES.
 2. CUSTOMIZED OR MODIFIED UNITS MAY DIFFER FROM THIS DRAWING.
 3. RECOMMENDED MINIMUM PILE/SUPPORT LOCATIONS SHOWN THUS: 

NOT NECESSARY WITH COMPACTED GRAVEL BASE PAD OR CONCRETE FOUNDATION.

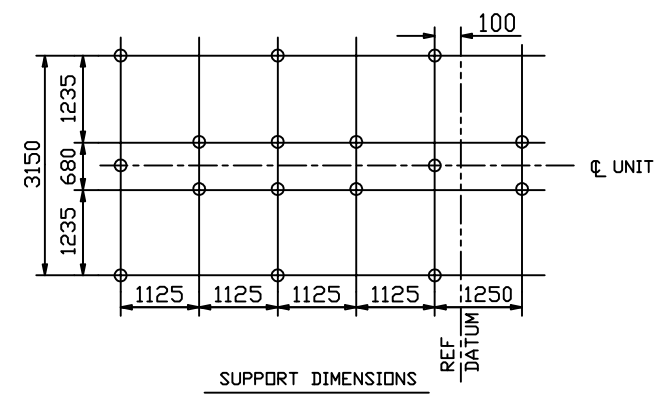
UNIT SHIPPING WEIGHT:	25000 lbs 11400 kg
UNIT SHIPPING HEIGHT:	12'-0" 3660 mm
EXHAUST STACK HEIGHT:	8'-0" 2440 mm

OPTIONS	
OPT#	DESCRIPTION
240	SUCTION RELIEF
510	EXTRA ESD
520	12 VDC BUILDING LIGHTS
523	EXTRA HEATER

MAXIMUM UNBALANCED FORCES & COUPLES
 (@ 1800 RPM)

TYPE	PRIMARY	SECONDARY
FORCES (LBS)		
VERTICAL	0	0
HORIZONTAL	138	25
COUPLES (FT IBS)		
VERTICAL	1134	0
HORIZONTAL	1172	528

FIELD CONNECTIONS									
ITEM	CONNECTION	SIZE	RATING	DISTANCE FROM DATUM					
				X		Y		Z (FROM BOTTOM OF SKID)	
				mm.	in.	mm.	in.	mm.	in.
A	SUCTION	4"	300#RF	+4820	189 3/4	0	0	+385	15 1/8
B	SCRUBBER DRAIN	1"	NPT	+2600	102 3/8	+1695	66 3/4	+60	2 3/8
C	START GAS	1"	NPT	+1450	57	+1695	66 3/4	+60	2 3/8
D	INST. GAS	1"	NPT	+630	24 7/8	+1695	66 3/4	+60	2 3/8
E	DISCHARGE	3"	300#RF	-930	-36 5/8	+1291	50 3/8	+542	21 5/16



BTB COMPRESSORS

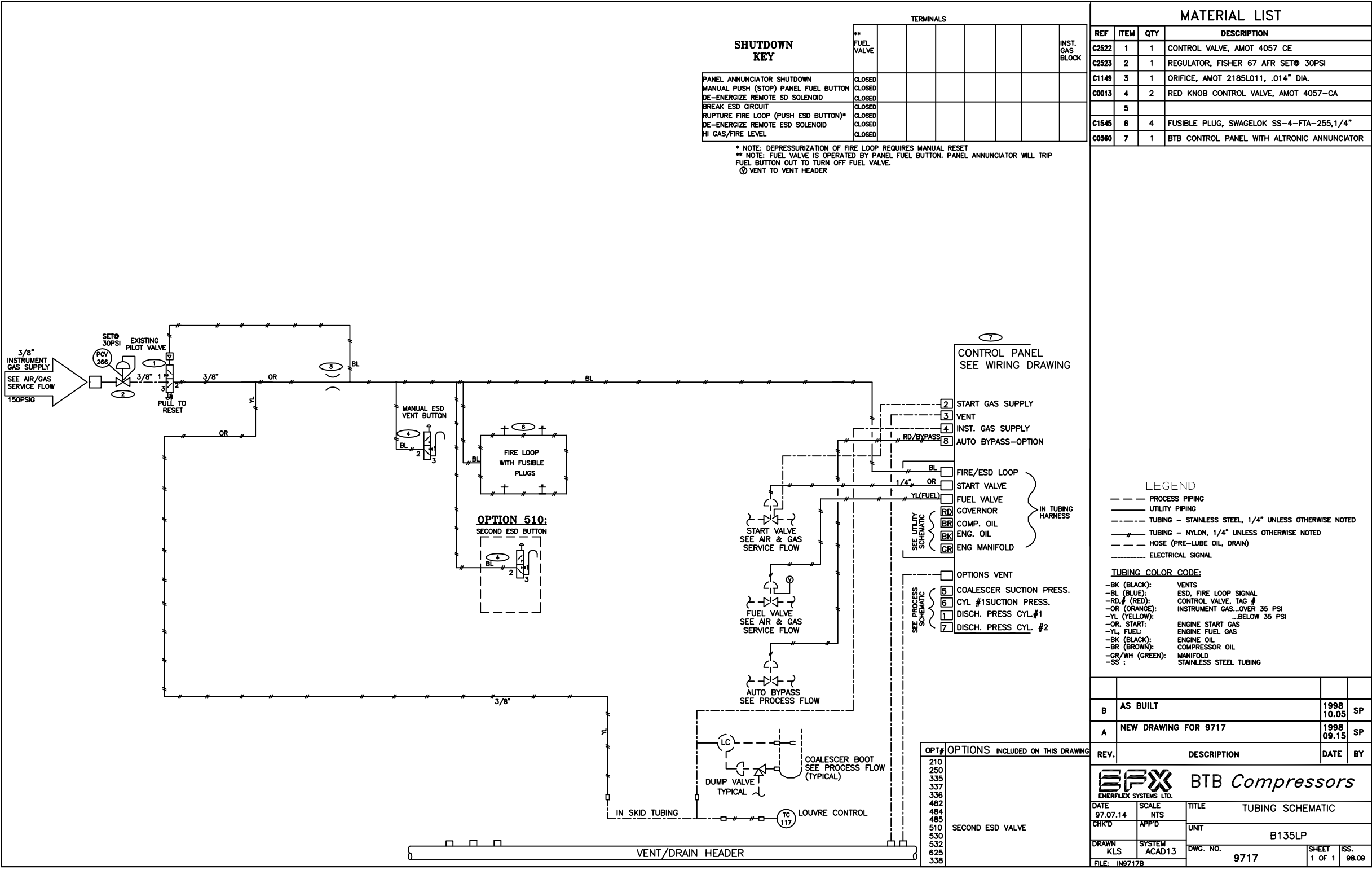
DIVISION OF ENERFLEX SYSTEMS LTD.

TITLE: **INSTALLATION DRAWING**

UNIT: **B135LP**

DWG. NO. **9717-10-C1** SHEET **1 OF 1** ISS. **94.11**

DRAWN: DDC DATE: NOV 25, 94 SYSTEM: ACTL
 APPROVED: SCALE: NTS
 FILE: 971710C1



NOTE: ITEMS WITH DESCRIPTIONS AND NO QUANTITY REQUIRE DRAFTSMAN TO COUNT QUANTITIES AFTER OPTIONS HAVE BEEN ADDED FOR CUSTOMER DRAWINGS.

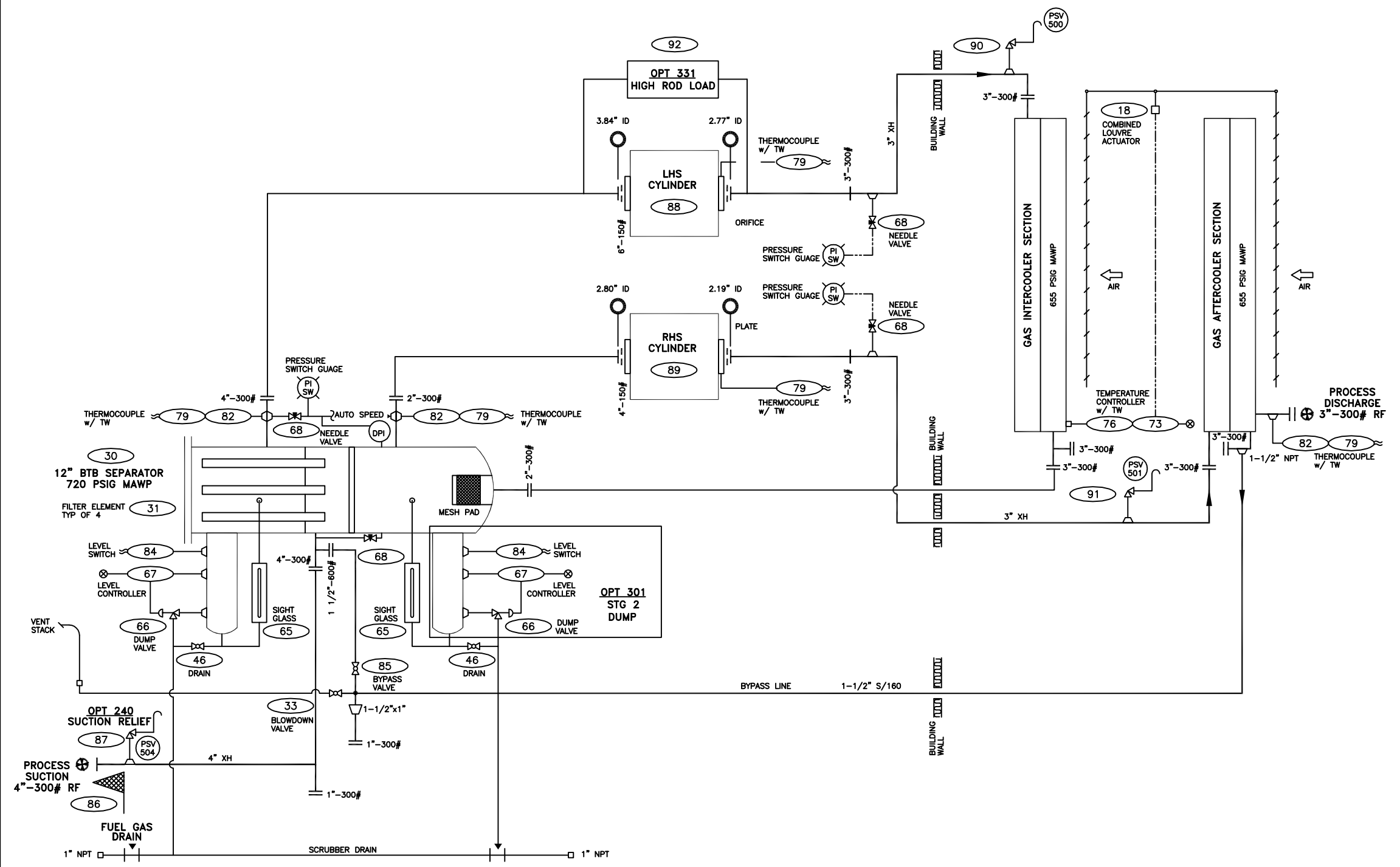
EPX BTB Compressors
 EMERFLEX SYSTEMS LTD.

DATE: 97.07.14 SCALE: NTS TITLE: TUBING SCHEMATIC
 CHK'D: APP'D UNIT: B135LP
 DRAWN: KLS SYSTEM ACAD13 DWG. NO. 9717 SHEET 1 OF 1 ISS. 98.09
 FILE: IN9717B

PSV OPTION 240
PSV-504 SET@720PSIG

ARIEL CYLINDERS
CYL.#1: 11" M 150 MAWP
CYL.#2: 7 1/2" M 175 MAWP

PSV
PSV-500 SET@150PSIG
PSV-501 SET@175PSIG



MATERIAL LIST

ITEM	QTY	DESCRIPTION
18	1	LOUVRE ACTUATOR, GARZO 501-4-630
30	1	12" BTB COALESCER PER BTB SPEC 902-8
31	4	ELEMENT, PECO FG-36-MS, 3 1/2" OD x 36"
33	1	BALL VALVE, WKM B136-CS-02-CS 1" NPT
46	2	BALL VALVE, WKM B136-CS-02-CS 1" NPT
65	2	LEVEL GAGE, PENBERTHY 1RM7
66	2	DUMP VALVE, MURPHY DV1500 1" NPT
67	2	LEVEL CONTROLLER, MURPHY L1200N-DVO 2" NPT
68	4	NEEDLE VALVE, CENTURY CM2-3-M64T
		3/4" NPTM x 1/2" NPTF CS
73	1	KIMRAY TEMP. CONT. HT12
76	1	KIMRAY 1" SS-12-SS TW
79	5	TC, LEAD & CONN'R, 1/4"OD, SPG. FTG. (STYLE3)
82	3	TW, STD 3/4"NPT x 2.5", FOR 1/4" PROBE (STY5)
84	2	LEVEL SW., MURPHY L1100 1.5" BUOYGLAS SPDT
85	1	BALL VALVE WKM 1 1/2" NPT
86	1	CONE STRAINER 4"-300#
87	1	TAYLOR 8200 1" x 1" NPT
88	1	ARIEL CYLINDER C/W WVCP
89	1	ARIEL CYLINDER C/W WVCP
90	1	PSV, TAYLOR 8200, 0.44" ORIFICE, 1 1/2" x 2"
91	1	PSV, TAYLOR 8200, 0.44" ORIFICE, 1 1/2" x 2"
92	1	D.P. SWITCH U.E. SET@ 47 PSI

REV.	DESCRIPTION	DATE	BY
C	AS BUILT	1998 10.05	SP
B	FRAMED AS BUILT	1997 06.19	JDL
A	NEW DRAWING.	1997 06.06	JDL

OPT#	OPTIONS INCLUDED IN THIS DRAWING
210	SUCTION RELIEF VALVE
240	HIGH ROD LOAD
331	HIGH ROD LOAD

EPX BTB Compressors
ENERFLEX SYSTEMS LTD.

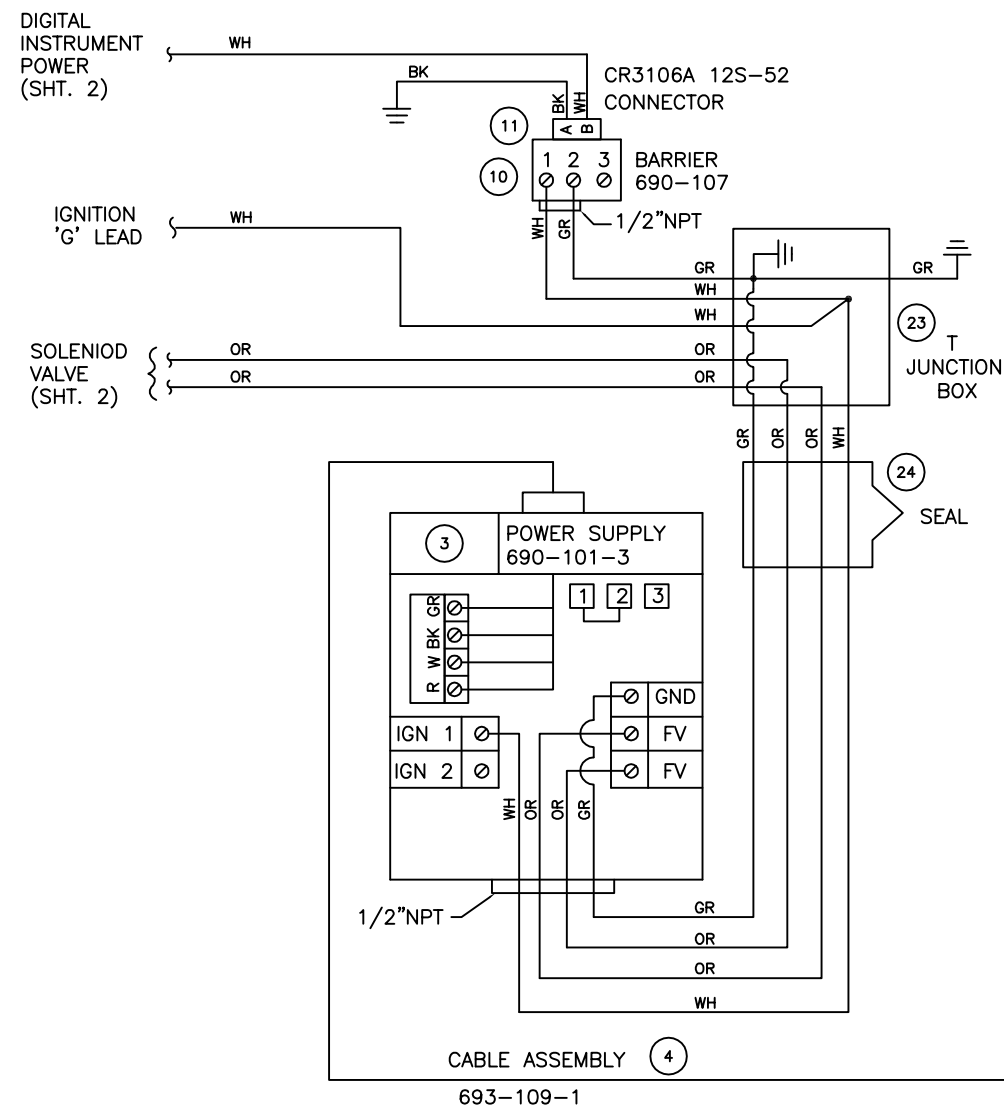
DATE MAY 29, 95	SCALE NTS	TITLE PROCESS FLOW SHEET
CHR'D	APP'D	UNIT B135LP
DRAWN DGP	SYSTEM ACLT	DWG. NO. 9717-11-C1
FILE: 971711C1		SHEET 1 of 1
		ISS. 95.12

PART NO. **C0560**

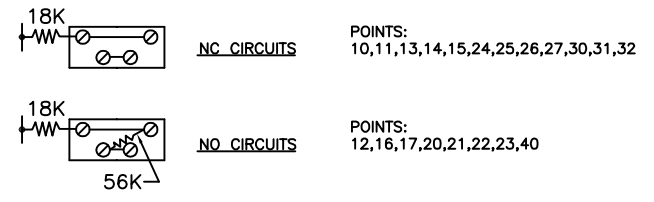
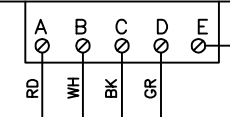
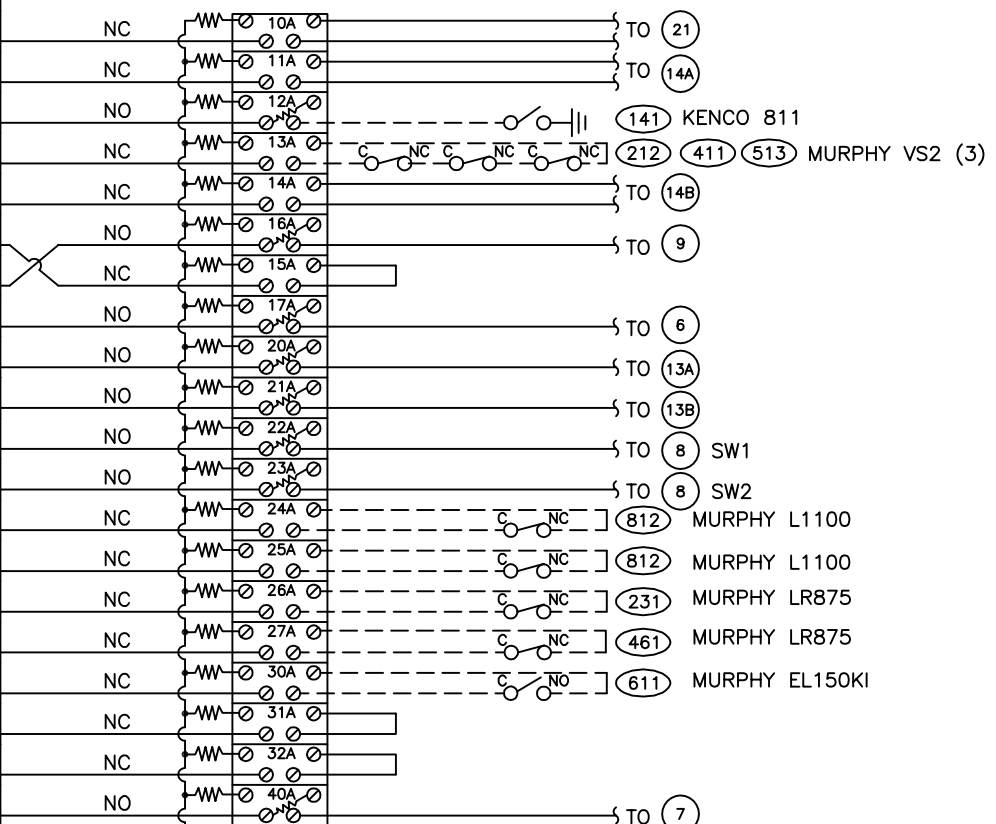
A COPY OF THIS DRAWING BEARING INITIALS MUST BE INCLUDED WITH PACKING SLIP AT DELIVERY.

DATE	INIT.	FUNCTION
		BUILT TO BTB SPEC. S510.01

SWITCH CONTACTS SHOWN IN OPERATING MODE



(2)	ANNUNCIATOR DD-20NT-C	
B 10	ESD/FIRE LOOP	NC
B 11	COMP. OIL PRESSURE	NC
B 12	COMPRESSOR LUBE FLOW	NO
B 13	UNIT VIBRATION	NC
B 14	ENGINE OIL PRESSURE	NC
B 15	SPARE	NO
B 16	ENGINE TEMPERATURE	NC
B 17	SUCTION PRESSURE LOW	NO
A 20	DISCHARGE PRESS. CYL1	NO
A 21	DISCHARGE PRESS. CYL2	NO
A 22	DISCHARGE TEMP. CYL1	NO
A 23	DISCHARGE TEMP. CYL2	NO
A 24	SCRUBBER 1 LEVEL	NC
A 25	SCRUBBER 2 LEVEL	NC
A 26	COMPRESSOR OIL LEVEL	NC
A 27	ENGINE OIL LEVEL	NC
A 30	COOLANT LEVEL	NC
A 31	HIGH ROD LOAD	NC
A 32	SPARE	NC
A 40	OVERSPEED	NO



WARNING

- WHEN TROUBLESHOOTING, DISCONNECT ANNUNCIATOR PLUG CONNECTOR AND GROUND BEFORE USING OHM METER TO CHECK END DEVICES.
- DISCONNECT ANNUNCIATOR PLUG AND GROUND BEFORE WELDING NEAR PANEL.
- THESE INSTRUMENTS OPERATE ON INTRINSICALLY SAFE VOLTAGE. MODIFYING OR ADDING EQUIPMENT TO OPERATE AT HIGHER VOLTAGES MAY DAMAGE OR DESTROY THIS PANEL.

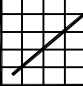
NOTES: 1. ALL SENSOR WIRES MUST RUN AT LEAST 2" FROM OTHER WIRES & IN SEPARATE CONDUIT.
 2. WIRING TO BE TINIZED 18 AWG. MAX, 24 AWG. MIN, INSULATION AC RATING 500 Vrms. ENDS TO BE SOLDERED.
 3. ENSURE PANEL IS GROUNDED TO SKID.

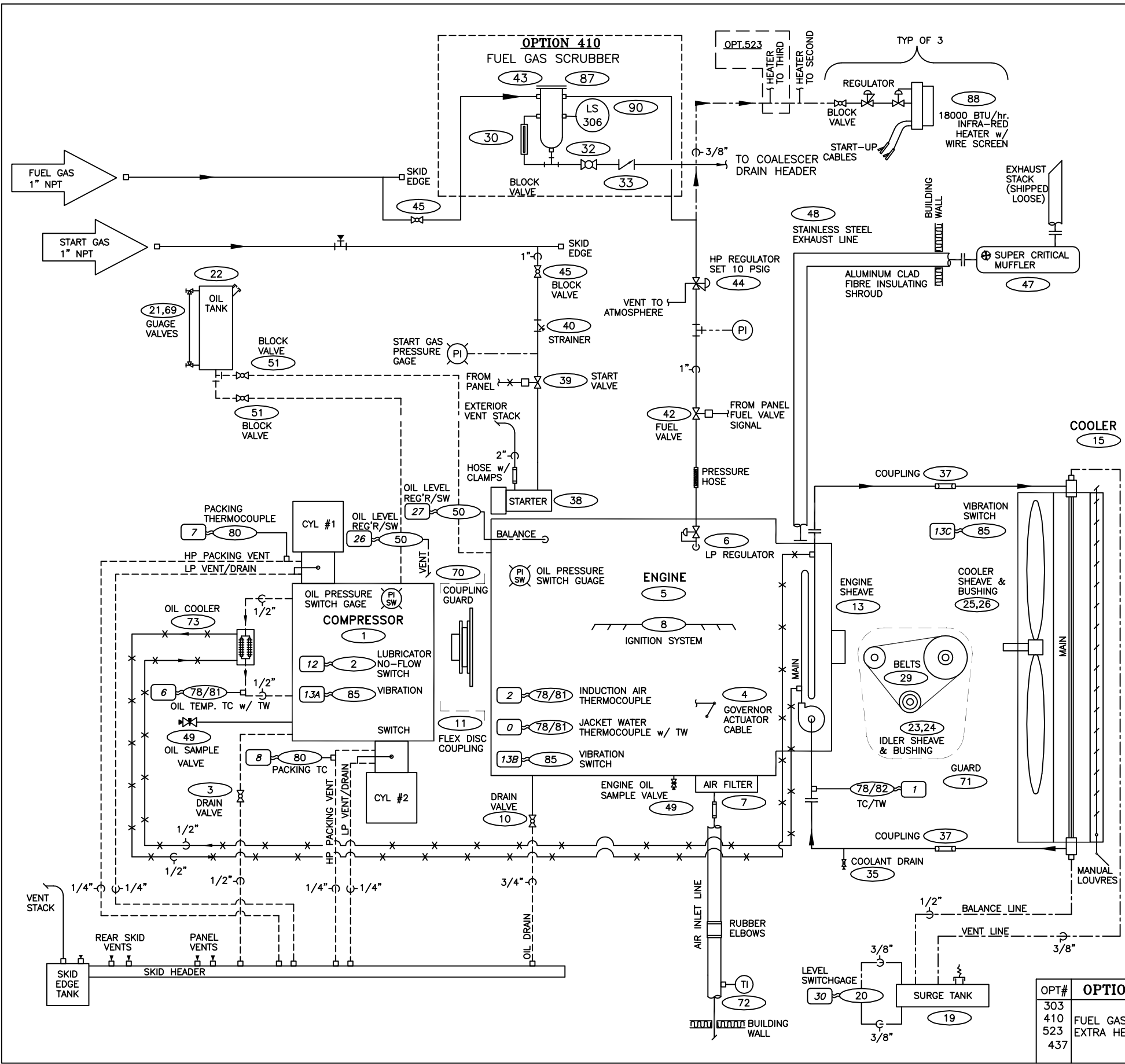
WARNING: THE INFORMATION AND DRAWINGS BEING PROVIDED ARE CONFIDENTIAL AND PROPRIETY TO BTB COMPRESSORS AND ARE SUBJECT TO COPYRIGHT AND TRADE SECRET PROTECTION. YOU SHALL NOT USE ANY OF THE DRAWINGS OR INFORMATION FOR ANY PURPOSE OTHER THAN THE CONSTRUCTION AND SUPPLY OF COMPONENTS TO BTB COMPRESSORS AND THE REPAIR AND MAINTENANCE OF THE PRODUCTS TO WHICH THEY RELATE. NO DISCLOSURE OR COPYING, IN WHOLE OR IN PART, MAY BE MADE OF ANY OF THE INFORMATION OR DRAWINGS WITHOUT THE PRIOR WRITTEN CONSENT OF BTB COMPRESSORS.

BTB COMPRESSORS	
DIVISION OF ENERFLEX SYSTEMS LTD.	
TITLE CONTROL PANEL ANNUNCIATOR WIRING	
DRAWN DGP	DATE MAY 12, 94
APPROVED	SCALE NTS
FILE: PN9717B.DWG	SYSTEM ACCT
UNIT B135	DWG. NO. 9717-F1-22.01-C
SHEET 1 / 3	ISS. 94.05

MATERIAL LIST

ITEM	QTY	DESCRIPTION
		Electronic Panel, Dwg. F1-22.01 PANEL MATERIAL
1	1	Aluminum panel cabinet
2	1	Altronic DD-20NT-C annunciator
3	1	Power Supply, 690-101-3
4	1	Cable assembly, 693-109-1
5	1	Mounting Bracket, 610-062
6	1	Class C adaptor, 691-013
7	1	Tach, overspeed & hourmeter, DTHO-1200
8	1	Digital TI, 2/2 point/SD, Altronic DPYH-1392
9	1	Digital TI, 9/1 point/SD, Altronic DPYH-1309
10	1	Barrier, Altronic 690-107
11	1	Cable connector, Altronic CR3106 A12S-52
12	1	PI switchguage, Murphy 45PEF-S-100
13	2	PI switchguage, Murphy 45PEF-S-200
14	2	Pressure switchguage, Murphy A25-E0-100 - set 30psi
15	1	PI, Wika #233.53, 2-1/2" dial, 0-60psi dual
16	1	PI, Wika #233.53, 2-1/2" dial, 0-300psi dual
17	1	PI, Wika #233.53, 2-1/2" compound, 0-30"Hg/0-30psi
18	1	Start valve, IR SMBG618
19	1	Three way valve, Amot 4057D025HI
20	1	Solenoid valve, Asco 8320A206 48V
21	1	Pressure switch, Dual Snap 6702G8003 set 20psi
22	2	Orifice, Amot 2185L011 (0.014)
23	1	Killark 1/2" GMET-1 T style aluminum junction box
24	1	Killark 1/2" ENY-1 aluminum seal
25	21	Terminal block, Weidmuller DK4
26	1	Terminal plate, Wiedmuller APDK4
27	2	Terminal retainer, Weidmuller EWK1
28	1	Mounting rail for Weidmuller DK4, 8" long
36	1	MANUAL/AUTO SPEED SELECTOR VALVE, WHITEY
37	1	CONTROLLER FISHER 4150K, 3-15 PSI, D.A., 100 PSI BOURDON TUBE
38	1	DPI, MIDWEST MODEL 120, 0-15PSI

BTB		
COMPRESSORS		
DIVISION OF ENERFLEX SYSTEMS LTD.		
TITLE		CONTROL PANEL MATERIAL LIST
DRAWN	DATE	SYSTEM
DGP	JUN 17, 94	ACLT
UNIT		B135
APPROVED		SCALE
SCALE		NTS
DWG. NO.		SHEET
9717-F1-22.01-C		4 of 4
ISS.		94.06
FILE: PN9717A3.DWG		



MATERIAL LIST			39	1	GAS VALVE, 1" NPT IR SRV-100
ITEM	QTY	DESCRIPTION	40	1	STRAINER, ALTA 1" NPT
1	1	ARIEL JGP/2 COMPRESSOR FRAME	42	1	VALVE, FISHER 119-12, 1"NPT 9/16"ORF. 0-30PSI
2	1	LUBE NO-FLOW SD, LUBRIQUIP, 527-100-130	43	1	FUEL FILTER / SCRUBBER BTB
3	1	BALL VALVE, NIBCO T560CS-R25 LATCH 1/2"NPT	44	1	REG'R, FISHER 627R-493 1", 1/4"ORF SET 10PSI
4	1	SPEED CABLE, AIR VAC 95422 B55	45	2	BALL VALVE, NIBCO T560CS-R25 LATCH 1"NPT
5	1	WAUKESHA F11G C-11849	47	1	MUFFLER, SILEX JC-4-SO, 4"-150#
6	1	REGULATOR, FISHER	48	1	TAIL PIECE & INSULATED EXHAUST LINE, 4"
7	1	AIR CLEANER, TWO STAGE, DRY	49	2	OIL SAMPLE VALVE, NUPRO B-4JN4
8	1	ALTRONIC V CSA IGNITION SYSTEM	50	2	OIL LEVEL REG'R/SW, REN RAB-0
10	1	BALL VALVE, NIBCO T560CS-R25 LATCH 3/4"NPT	51	2	BALL VALVE, NIBCO T560CS-R25 LATCH 1/2"NPT
11	1	THOMAS 312 CMR COUPLING w/ DISK PACK	58	-	PAINT, TOWER T240-906 GREY
13	1	ENGINE SHEAVE	69	1	SIGHT GLASS, 5/8" x 1/8" WALL, ACRYLIC
15	1	FIN-X FX487 655 MAMP	70	1	FLYWHEEL COUPLING GUARD
17	1	BUG SCREEN, SHIPPED LOOSE	71	1	COOLER BELT GUARD
19	1	SURGE TANK, 25 LITRE	72	1	T.I., TREND SF30025, -40'C TO -120'C LIQUID FILL
20	1	LEVEL SWITCHGAGE, MURPHY EL-150-K1	73	1	OIL COOLER, HAYDEN HW218-A4-1
21	1	PAIR CRANE 20-104-03, 1/2" NPT VALVES	77	1	B145 I.S. WIRING HARNESS F1-23.01
22	1	OIL TANK, 70 LITRE	78	4	TC, LEAD & CONN'R, 1/8"OD, NO FTG (STYLE 2)
23	1	IDLER SHEAVE, BROWNING **	80	2	TC, LEAD & CONN'R, 1/8"OD, COMP FTG (STY 2,7)
24	1	IDLER BUSHING, BROWNING **	81	3	TW, SPECIAL 1/2"NPT x 2", 3/16"OD (STYLE 4)
25	1	FAN SHEAVE, BROWNING **	82	1	TW, 3/8" NPT x 2", 3/16" O.D. (STYLE 9)
26	1	FAN BUSHING, BROWNING **	85	3	VIBRATION SWITCH, MURPHY VS2
29	2	V BELTS, GRIPNOTCH BX 85	87	1	FILTER ELEMENT, PECO FG-36-MS
30	1	LEVEL GAUGE, PENBERTHY RM7	88	3	GAS HEATER, CATADYNE BX-18x24
31	1	REGULATOR, FISHER 67 AFR	90	1	LEVEL SWITCH, MURPHY L1100, 1 1/2"NPT
32	1	BALL VALVE, NIBCO 1"NPT	95	135L	OIL, ESSOLUBE GLX 40 OR EQUIVALENT
33	1	CHECK VALVE, NIBCO 1"NPT	96	155L	COOLANT, UCAR THERM 55 OR EQUIVALENT
35	1	BALL VALVE, GRINELL GR3911-A9 3/4"NPT			
37	2	DRESSER 2" STYLE 90 COUPLING			
38	1	STARTER, IR 150 LFG2-22-RH5			

LEGEND	
—	PROCESS PIPING SPEC BTB 902-6
—	UTILITY PIPING SPEC BTB 902-3
—*	TUBING - NYLON, SAE J844-A OR B
—//	ELECTRICAL SIGNAL
---	TUBING - STAINLESS STEEL, SPEC BTB 902-7
⊙	PANEL MOUNTED INSTRUMENT
00	WIRING HARNESS LEAD NUMBER
⊙	INSTRUMENT GAS SUPPLY
⊙	INSTRUMENT VENT
---	HOSE
⌊	MANUFACTURED TUBING

- NOTES:**
- ** REFER TO UNIT COMPONENT DATA SHEET, INCLUDED WITH OPERATING MANUAL.
 - SITE INSTALLATION AND START UP MINIMUM REQUIREMENTS PER BTB SPECS 905-1 TO 905-7 MUST BE FOLLOWED.

REV.	DESCRIPTION	DATE	BY
C	AS BUILT	1998 10.05	SP
B	FRAMED AS BUILT	1997 06.19	JDL
A	NEW DRAWING.	1997 07.06	JDL

BTB Compressors
ENERFLEX SYSTEMS LTD.

DATE	MAY 9, 96	SCALE	NTS	TITLE	SERVICE FLOW SHEET
CHK'D	DGP	APP'D	ACLT	UNIT	B135LP
DRAWN	DGP	SYSTEM	ACLT	DWG. NO.	9717-12-C1
FILE:	971712C1			SHEET	1 of 1
				ISS.	96.08

OPT#	OPTIONS INCLUDED ON THIS DRAWING
303	
410	FUEL GAS SCRUBBER
523	EXTRA HEATER
437	